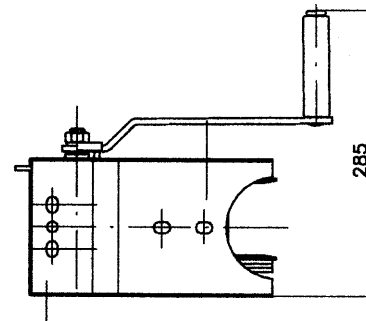
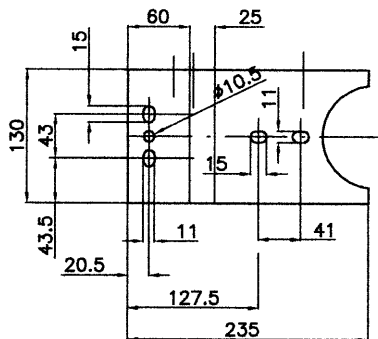


ARGANO MANUALE PER TRAZIONE

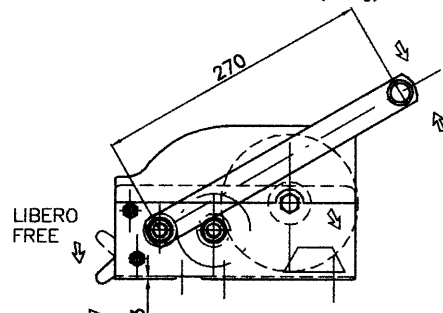
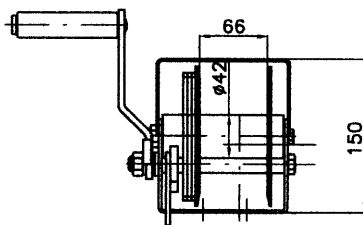
MANUAL WINCH FOR TRACTION

CODICE : 950.270.00P

Rapporto riduzione 1:9.6 Riduction ratio 1:9.6
 Trazione 9300N (950 Kg) Traction 9300N (950 Kg)



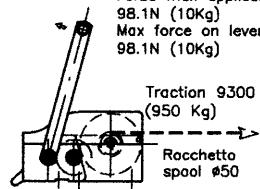
Forza max applicabile 196.2N (20Kg)
 Max force on lever 196.2N (20Kg)



Forza max applicabile 98.1N (10Kg)
 Max force on lever 98.1N (10Kg)

Traction 9300 N (950 Kg)

Racchetta spool $\varnothing 50$



BLOCCO LOCK

Forza max applicabile 196.2N (20Kg)
 Max force on lever 196.2N (20Kg)

Traction 9300 N (950 Kg)

Rocchetto spool $\varnothing 100$

