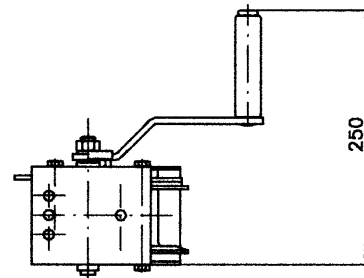
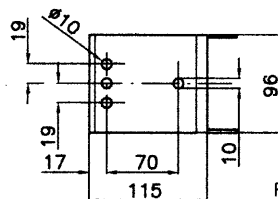


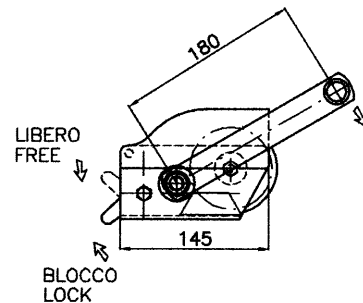
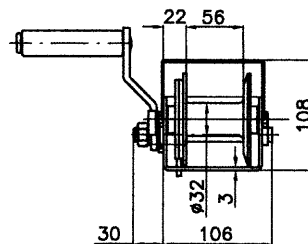
CODICE : 350.180.00P

Rapporto riduzione 1:2.4
Trazione 3924N (400 Kg)

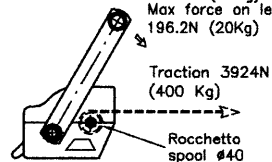
Riduction ratio 1:2.4
Traction 3924N (400 Kg)



Forza max applicabile 196.2N (20Kg)
Max force on lever 196.2N (20Kg)



Forza max applicabile
196.2N (20Kg)
Max force on lever
196.2N (20Kg)



Forza max applicabile
196.2N (20Kg)
Max force on lever
196.2N (20Kg)

